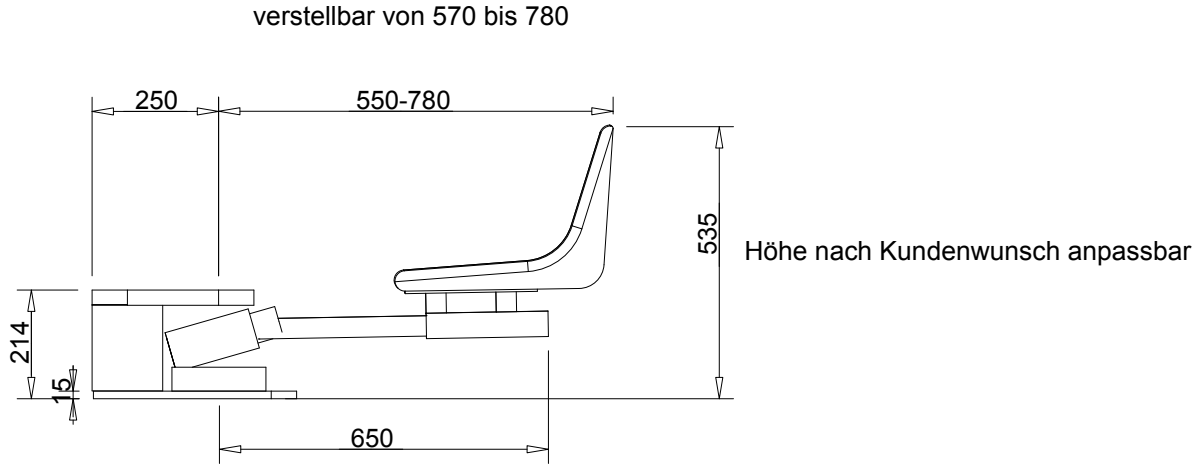
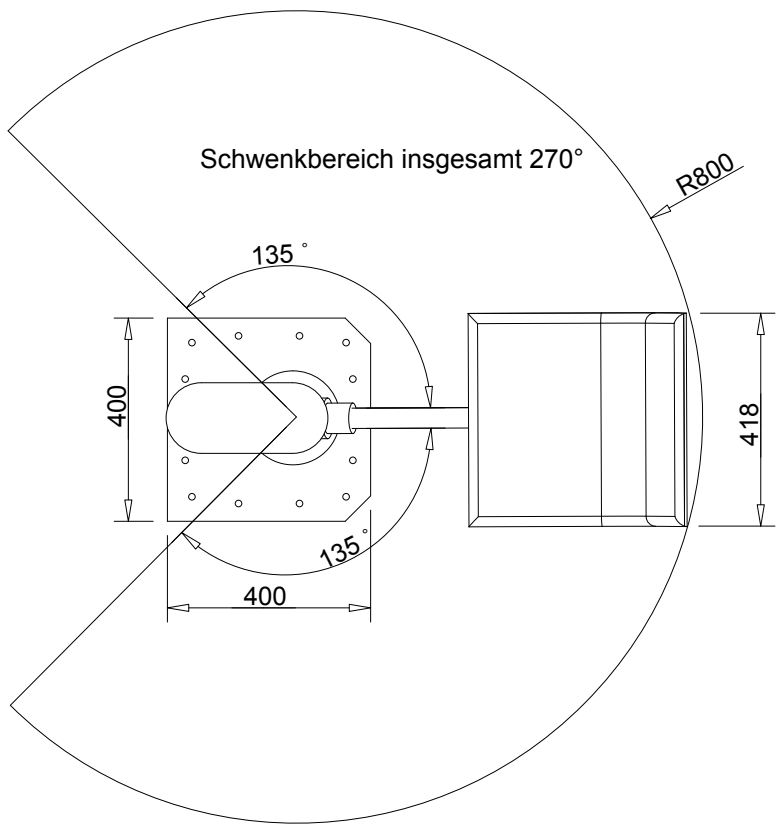


A



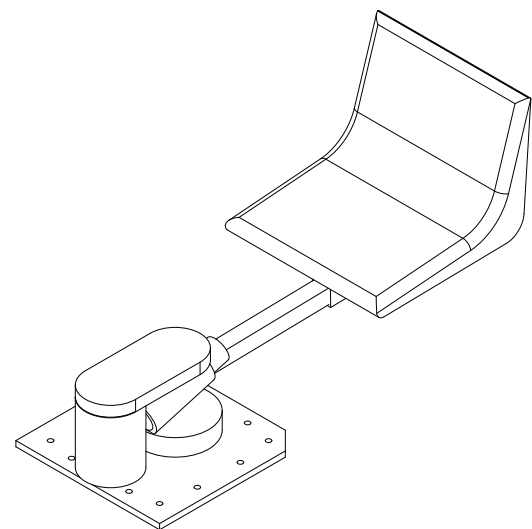
B

C



D

E



F

Itemref	Quantity	Title/Name, designation, material, dimension etc		Article No./Reference	
Drawn by Pintore	Checked by U. Hemrich	Approved by - date	File name 270 Schema.dwg	Date March, 18 2018	Scale
Copyright by Roberto Pintore			Orbiter 270 Schema		
				Edition	Sheet